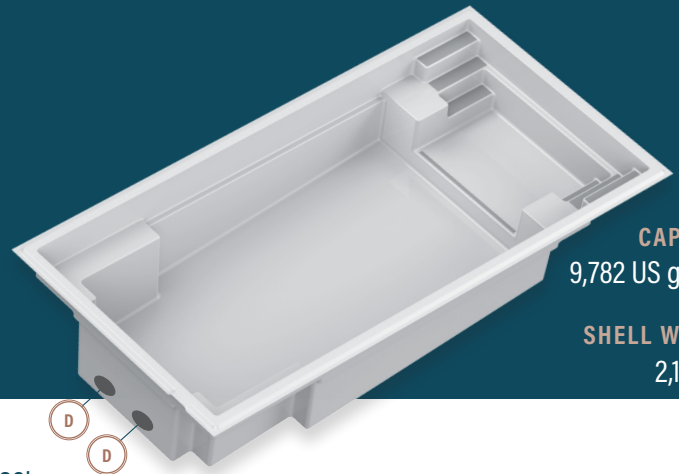


moVa

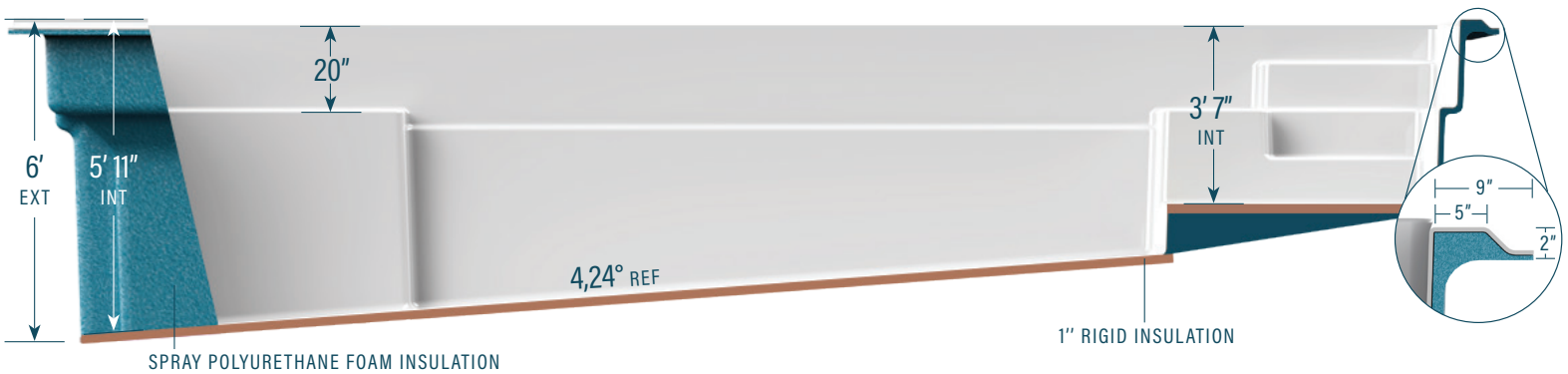
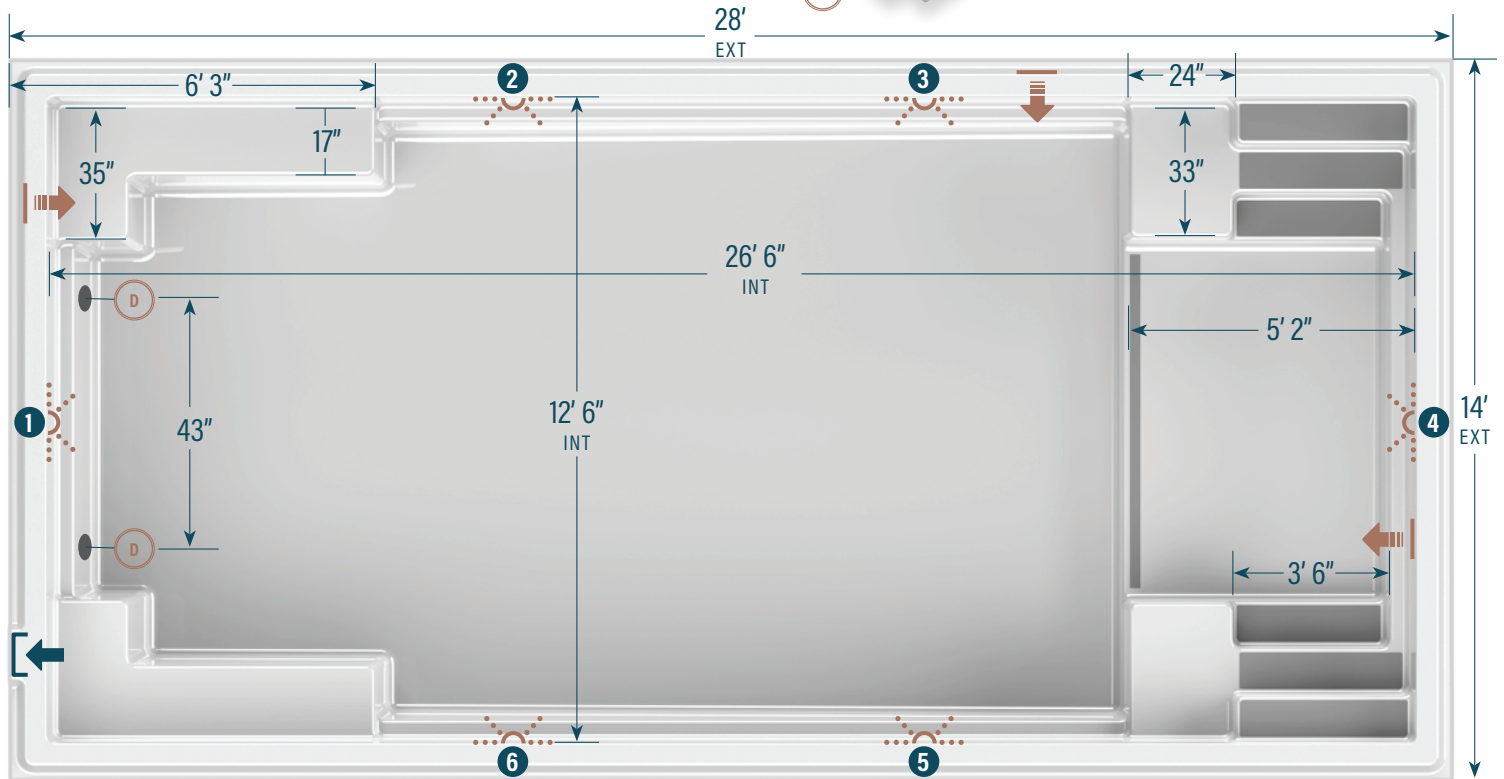
CONTEMPORARY POOLS

14' x 28'- slope



CAPACITY
9,782 US gallons

SHELL WEIGHT
2,100 lbs



LED LIGHT OPTION

(Circle the desired LED lights)



LEGEND



Positioning of these elements is standard. Modifications can be requested. Ask your retailer.

STANDARD COLORS*



*Other colors available. Additional delays may apply. Ask your retailer.

Mova Pools are supplied with VGBA Compliant Fixtures – The plumbing system must be designed to comply with ANSI/APSP-7 STANDARD FOR SUCTION ENTRAPMENT AVOIDANCE IN POOLS AND SPAS (latest revision). The information in this document is provided for informational purposes only. Consult an authorized dealer and the Mova Pools installation guide for product specifications and installation instructions before purchasing a pool. An installation that does not conform to the instructions may void your warranty.

MOVAPOLS.COM